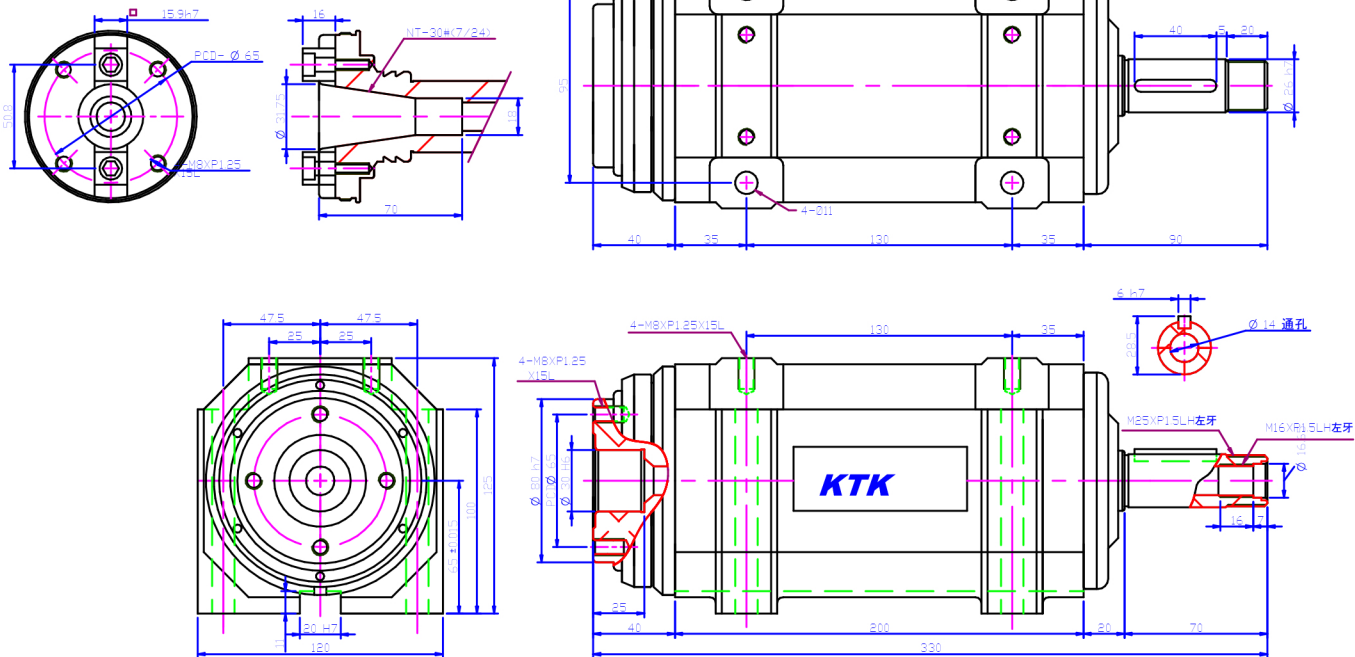


S30A 搪銑主軸頭

KTK MACHINES INDIA PVT LTD



	Spindle Bearing	Spindle Speed	Spindle Bearing(Rotation of spindle with)	Weight
S-30A	32006*2 / 6206*2	3500RPM	0.005mm	17kg
S-30AH	7206*2 / 6206*2	6000RPM	0.005mm	17kg