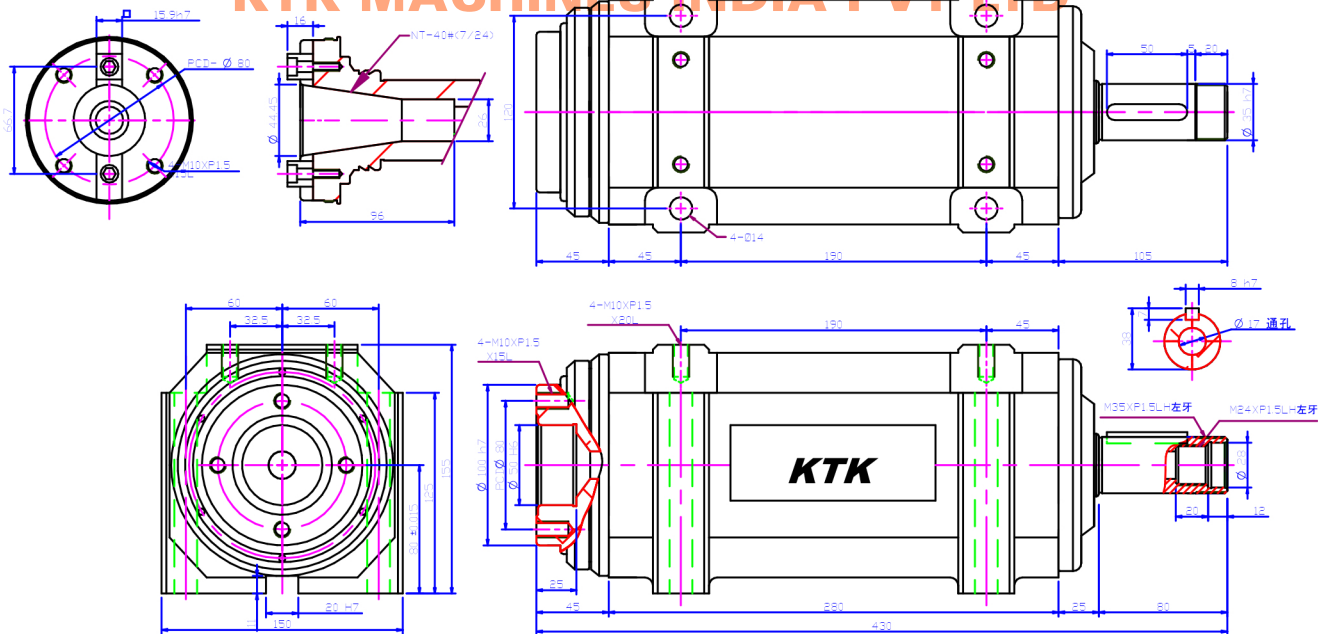


S40A 搪銑主軸頭

KTK MACHINES INDIA PVT LTD



	Spindle Bearing	Spindle Speed	Spindle Bearing(Rotation of spindle with	Weight
S-40A	30208*2 / 6208*2	2000RPM	0.005mm	40kg
S-40AH	7208*2 / 6206*2	4000RPM	0.005mm	40kg