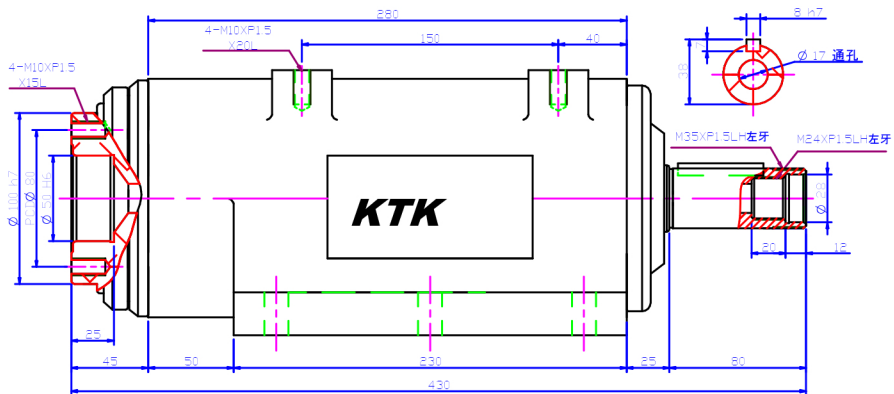
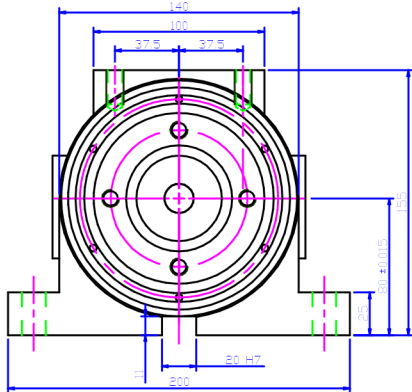
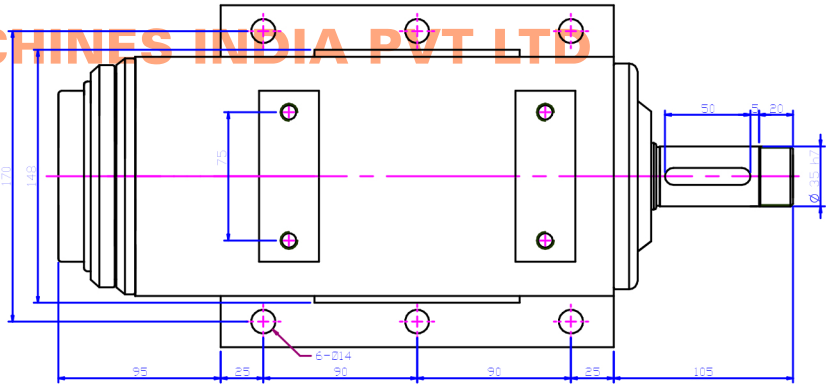
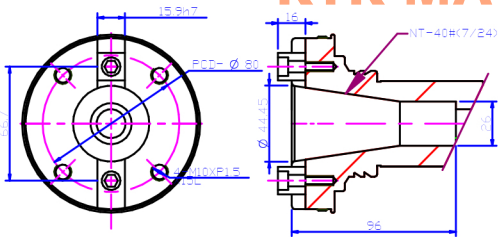


# S40B 搪銑主軸頭

KTK MACHINES INDIA PVT LTD



|        | Spindle Bearing  | Spindle Speed | Spindle Bearing(Rotation of spindle with | Weight |
|--------|------------------|---------------|--|--------|
| S-40B  | 30208*2 / 6208*2 | 2000RPM       | 0.005mm                                  | 40kg   |
| S-40BH | 7208*2 / 6206*2  | 4000RPM       | 0.005mm                                  | 40kg   |