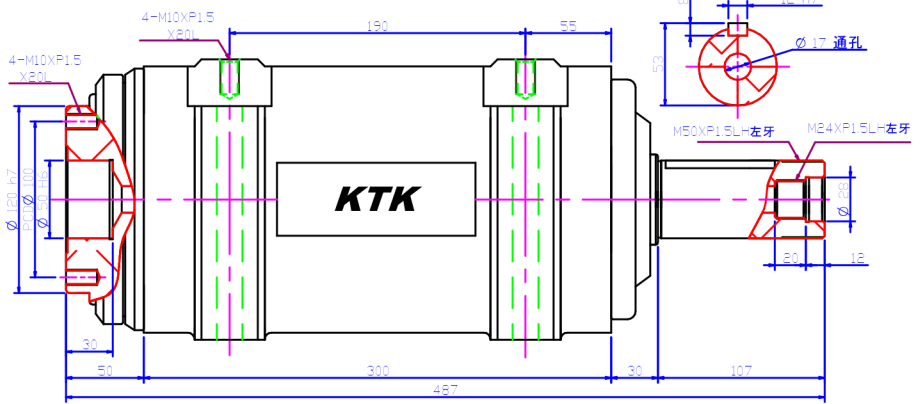
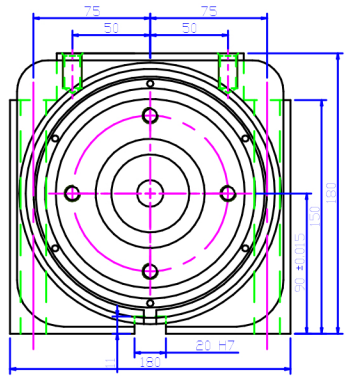
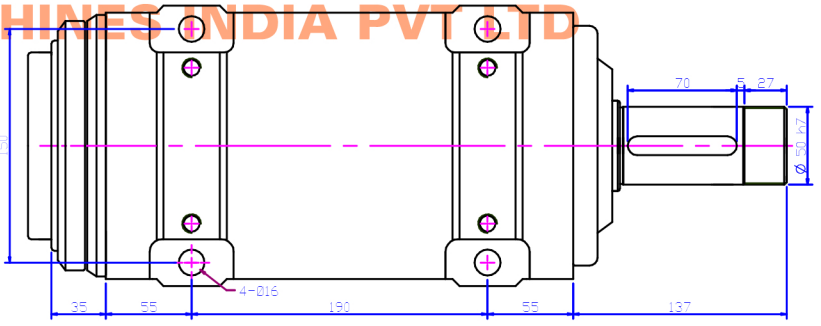
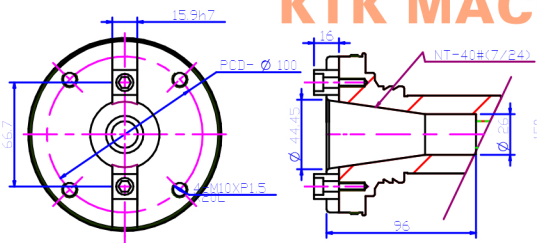


# S60A 搪銑主軸頭

KTK MACHINES INDIA PVT LTD



	Spindle Bearing	Spindle Speed	Spindle Bearing(Rotation of spindle with)	Weight
S-60A	30212*2 / 6212*2	1500RPM	0.005mm	70kg
S-60AH	7212*2 / 6206*2	3000RPM	0.005mm	70kg