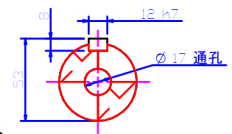
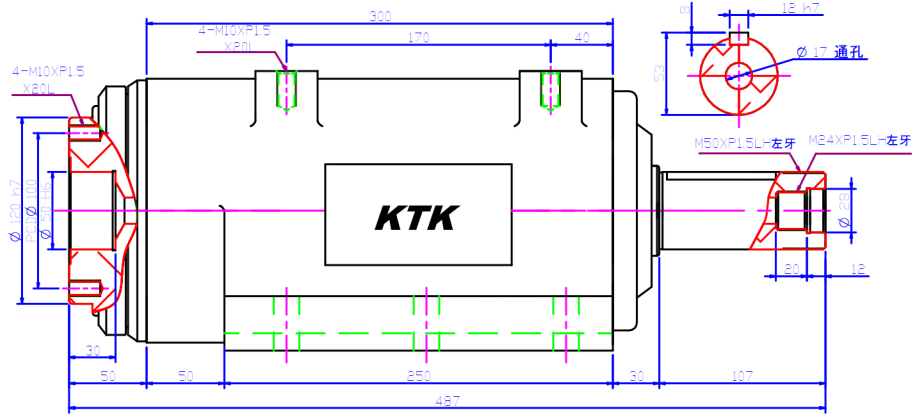
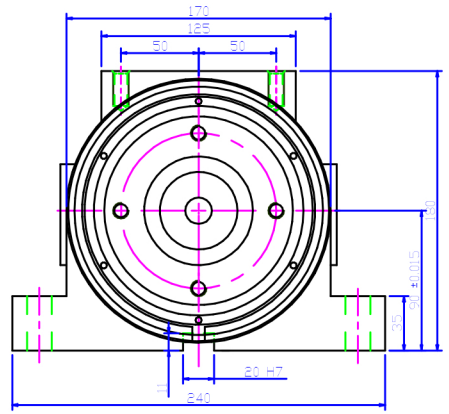
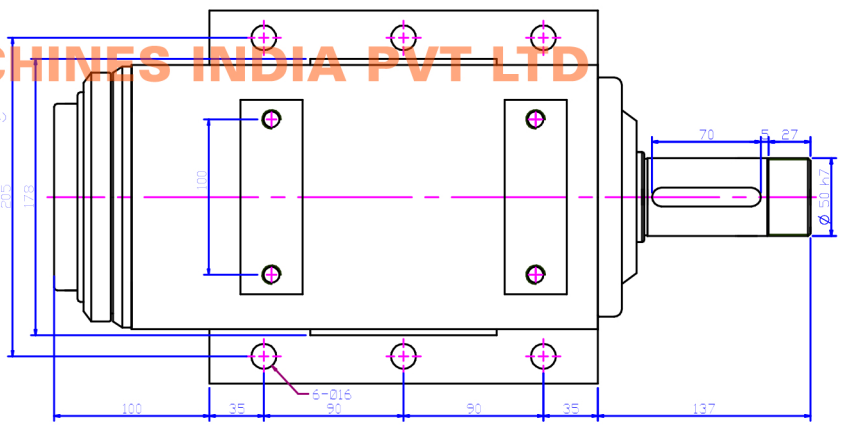
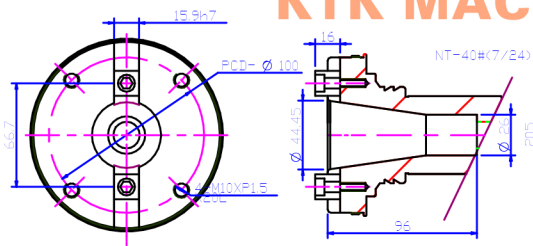


S60B 磨銑主軸頭

KTK MACHINES INDIA PVT LTD



M50XP1.5L-左牙 M24XP1.5L-左牙

	Spindle Bearing	Spindle Speed	Spindle Bearing (Rotation of spindle with Weight)	
S-60B	30212*2 / 6212*2	1500RPM	0.005mm	70kg
S-60BH	7212*2 / 6206*2	3000RPM	0.005mm	70kg