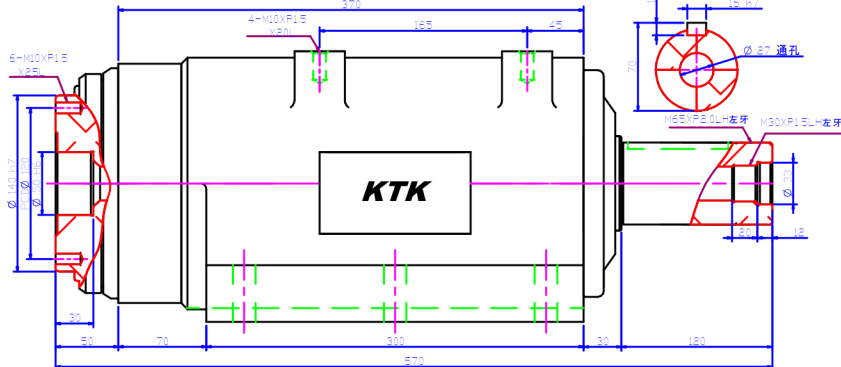
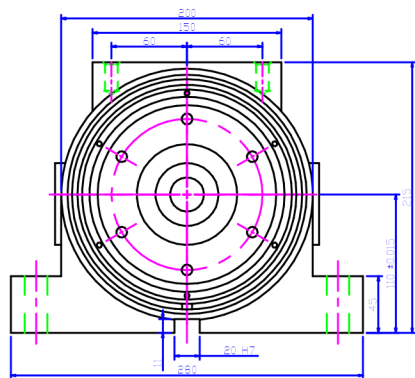
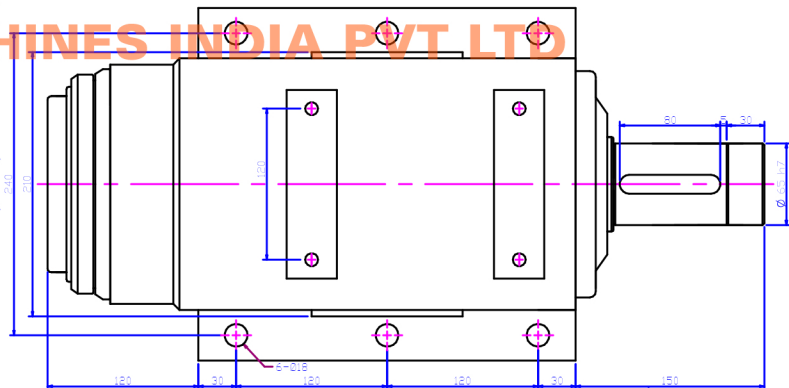
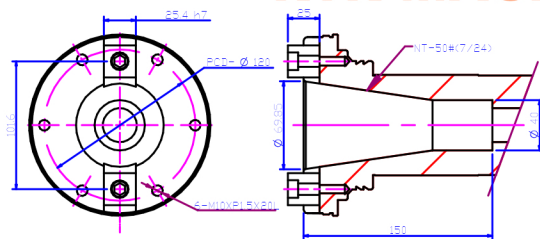


S80B 搪銑主軸頭

KTK MACHINES INDIA PVT LTD



	Spindle Bearing	Spindle Speed	Spindle Bearing(Rotation of spindle with	Weight
S-80B	32016*2 / 6016*2	1000RPM	0.005mm	120kg
S-80BH	7216*2 / 6016*2	2000RPM	0.005mm	120kg